

## Intelligent CAF Selector

**ICS** (Intelligent CAF Selector) for Elkhart Brass Unibody series electric valves integrates with Waterous compressed air foam systems to provide one button control of any CAF discharge. With **ICS** equipped Waterous CAFS, producing CAF is extremely simple yet retains the flexibility to produce the right foam at each discharge.

- Press the “CAF ON” button and you have compressed air foam with air and water in the proper proportion. Press “CAF ON” again to operate in water only mode – simple!
- Press “CAF SELECT” to toggle between three discharge settings (wet, medium and dry)
- The **ICS** display keeps you completely informed of CAF mode, valve position and discharge pressure



**ICS** is an integrated CAF discharge controller for any Waterous Eclipse, Platinum or Silver PTO CAFS or integrated crossmount CAFS equipped with an Advantus or Aquis foam management system. **ICS** provides control of a 1.5” – 8” Elkhart Brass Unibody electric water valve and a standard 12-24vdc solenoid air valve. The patented direct absolute valve position feedback only available from the Unibody electric valve allows the **ICS** operator to easily program and select from three CAF modes; *wet CAF, medium CAF and dry CAF or water only*. **ICS** simplifies the pump panel by including all discharge controls and a discharge pressure display in one easy to use, easy to see, easy to program device.

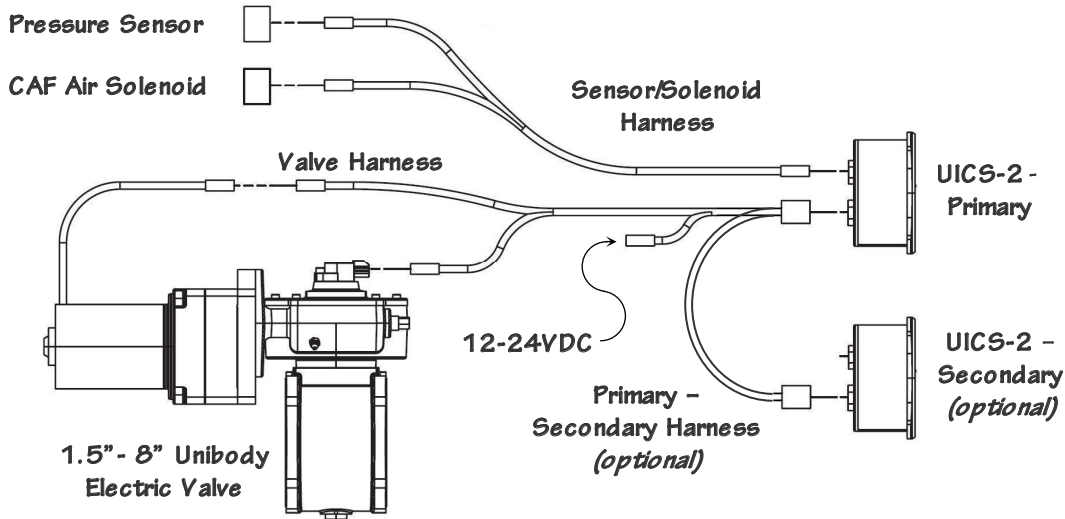


Easily program any water-to-air ratio for each of the three presets: WET CAF, MED CAF & DRY CAF. The ICS will then let you toggle between settings with a single button push!



<b>Model:</b>	UICS-2
<b>Part #:</b>	08899190
<b>Supply voltage:</b>	12-24vdc
<b>Supply current:</b>	15 amp max
<b>Water valve compatibility:</b>	Unibody electric 1.5” – 8”
<b>Air valve compatibility:</b>	24VDC max, 2amp max
<b>Enclosure:</b>	Positive pressure vented aluminum
<b>Bezel:</b>	Textured black with optional chrome trim ring
<b>Display:</b>	All high intensity with auto dim
<b>Valve position:</b>	10 LED position plus 1 LED closed
<b>Pressure:</b>	8 character LCD programmable for PSI or KPA
<b>CAF mode:</b>	8 character LCD status plus 1 LED on





**UICS-2 Unibody Electric Valve Controller Ordering Guide** - controllers must be ordered separately from the electric valve

The complete controller part number consists of the base controller part number and three option codes which define the harnesses and sensors that are to be supplied with the controller. Complete list price equals the price of the controller plus options.

- Examples:** 08899190-102410      complete part number for UICS-2 with:  
 Primary controller to valve harness - 10'  
 Primary controller to pressure sensor / air solenoid harness - 20'  
 Pressure sensor
- 08899190-130000      complete part number for UICS-2 with:  
 Secondary controller to primary controller harness - 10'

**Unibody Intelligent CAF Selector**

Model #	V	Description	Base Part #	List Price
UICS-2	12-24dc	Universal controller, may be used as either a primary or secondary	08899190	1,392

**UICS-2 options when used as a stand alone controller or as the primary in a primary-secondary configuration**

Description	Part# Option Code 1	Part# Option Code 2	Part# Option Code 3	List Price Add
Primary controller to valve harness - 10'	10			43
Primary controller to valve harness - 20'	20			54
Primary controller to valve harness - 40'	40			98
No primary controller to valve harness	00			NC
Primary controller to pressure sensor/solenoid harness - 10'		14		65
Primary controller to pressure sensor/solenoid harness - 20'		24		76
Primary controller to pressure sensor/solenoid harness - 40'		44		131
No primary controller to pressure sensor/solenoid harness		00		NC
No pressure sensor			00	NC
Pressure sensor			10	285

**UICS-2 options when used as a secondary in a primary-secondary controller configuration**

Description	Part# Option Code 1	Part# Option Code 2	Part# Option Code 3	List Price Add
Secondary controller to primary controller harness - 10'	13	00	00	43
Secondary controller to primary controller harness - 20'	23	00	00	54
Secondary controller to primary controller harness - 40'	43	00	00	98
No secondary controller to primary controller harness	00	00	00	NC